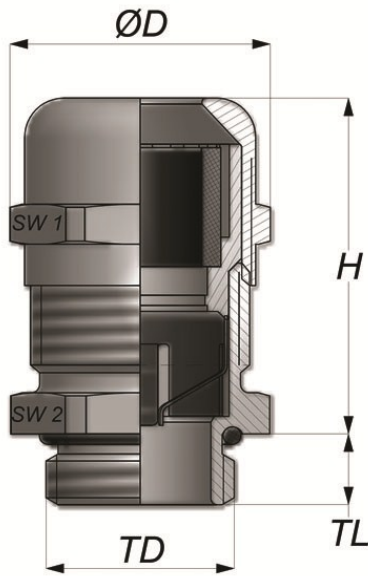


CG EMC-2 M SERIES GROUNDING CABLE GLANDS

Metric thread



Technical Data:

Material	Brass, Nickel Plated
Contact Spring	Special Copper Alloy
Clamping Insert	Polyamide 6 V2
Seal	Chloroprene (CR)
O-Ring	NBR
Protection Class	IP 68 - 5 Bar
Temperature Range	-20°C to +100°C permanent -40°C to +150°C intermittent
Flammability	V2 (according to UL 94)

Optimal grounding of shielded cable, easy installation, water tight, impact resistant.

Part Number	Thread Size	Clamping Range Ø (min-max)		Shield Diameter (Ø min)		Wrenching Flats Cap (SW1)		Thread Diameter (TD)	Thread Length (TL)	Height (H)
		inches	mm	inches	mm	inches	mm			
Metric										
EM2-12	M12x1.5	.118 - .256	3.0 - 6.5	0.098	2.5	0.551	14.0	12.0	6.0	22.0
EM2-16	M16x1.5	.158 - .315	4.0 - 8.0	0.118	3.0	0.669	17.0	16.0	7.0	23.0
EM2-16C	M16x1.5	.177 - .394	4.5 - 10.0	0.138	3.5	0.787	20.0	16.0	6.5	24.0
EM2-20	M20x1.5	.236 - .472	6.0 - 12.0	0.177	4.5	0.866	22.0	20.0	8.0	25.0
EM2-25	M25x1.5	.394 - .551	10.0 - 14.0	0.335	8.5	0.945	24.0	25.0	8.0	28.0
EM2-25C	M25x1.5	.472 - .709	12.0 - 18.0	0.413	10.5	1.181	30.0	25.0	8.0	37.0
EM2-32	M32x1.5	.512 - .709	13.0 - 18.0	0.433	11.0	1.181	30.0	32.0	9.0	33.0
EM2-32C	M32x1.5	.669 - .945	17.0 - 24.0	0.551	14.0	1.575	40.0	32.0	8.0	35.0
EM2-40	M40x1.5	.709 - .984	18.0 - 25.0	0.630	16.0	1.575	40.0	40.0	9.0	39.0
EM2-40C	M40x1.5	.866 - 1.261	22.0 - 32.0	0.787	20.0	1.969	50.0	40.0	8.0	42.0
EM2-50	M50x1.5	.866 - 1.261	22.0 - 32.0	0.787	20.0	1.969	50.0	50.0	9.0	47.0
EM2-50C	M50x1.5	1.181 - 1.496	30.0 - 38.0	1.024	26.0	2.244	57.0	50.0	9.0	49.0
EM2-63	M63x1.5	1.340 - 1.734	34.0 - 44.0	1.220	31.0	2.520	64.0	63.0	14.0	53.0
Metric with Long Thread										
EM2-12L	M12x1.5	.118 - .256	3.0 - 6.5	0.098	2.5	0.551	14.0	12.0	12.0	21.8
EM2-16L	M16x1.5	.158 - .315	4.0 - 8.0	0.118	3.0	0.669	17.0	16.0	12.0	22.6
EM2-20L	M20x1.5	.236 - .472	6.0 - 12.0	0.177	4.5	0.866	22.0	20.0	12.0	24.5
EM2-25L	M25x1.5	.394 - .511	10.0 - 14.0	0.335	8.5	0.945	24.0	25.0	12.0	27.5
EM2-32L	M32x1.5	.512 - .709	13.0 - 18.0	0.433	11.0	1.181	30.0	32.0	15.0	33.0
EM2-40L	M40x1.5	.709 - .984	18.0 - 25.0	0.630	16.0	1.575	40.0	40.0	15.0	39.0
EM2-50L	M50x1.5	.866 - 1.261	22.0 - 32.0	0.787	20.0	1.969	50.0	50.0	15.0	47.3
EM2-63L	M63x1.5	1.340 - 1.734	34.0 - 44.0	1.220	31.0	2.520	64.0	63.0	18.0	52.2