

# HYGIENIC FITTINGS AND GLANDS (Intro)

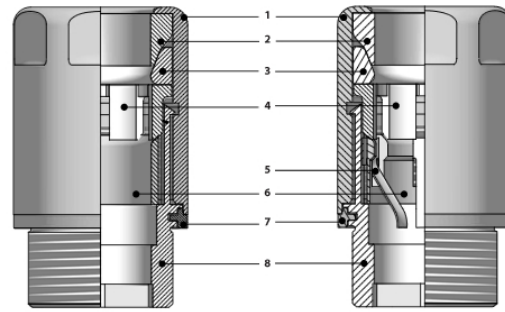
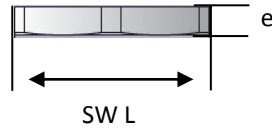
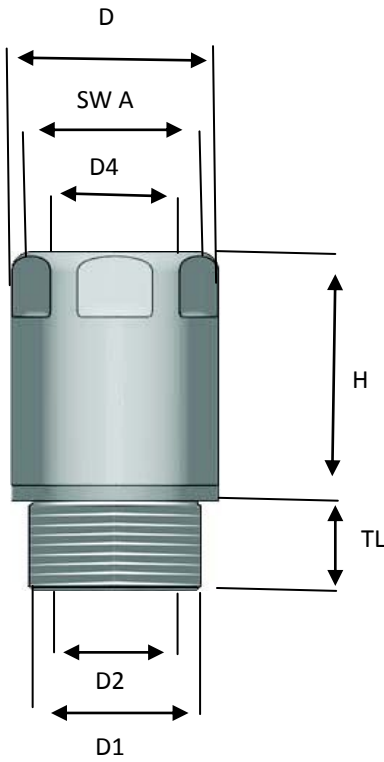
These fittings are made especially for areas of public health, safety, and protection of the environment. Applications range from the food and beverage industry to the chemical processing industry to cleanrooms because the stainless steel cable fittings and gland boasts a smooth surface, with all of the threads beneath the cap nut, preventing the depositing of harmful microorganisms.



The benefits of this range include:

- Much easier, faster, and cheaper to clean (reduced energy and use of chemicals) compared with conventional stainless steel conduit fittings
- Resistant to high-pressure waterjet cleaning.
- Greater durability because of superior product quality.
- Reliable strain relief due to duplicate cable attachment.
- Chemical resistant and sustains disinfectant, cleaners, and acids or alkalis

# HYGIENIC CABLE GLAND



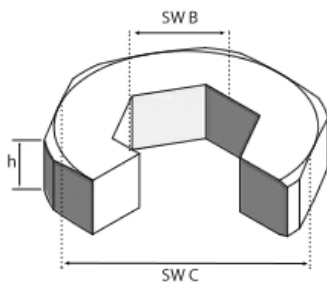
## Technical data:

|                       |  |
|-----------------------|--|
| Material              | Stainless Steel  |
| Seals                 | TPE conform to FDA Guideline 21 CFR 177.2600                               |
| Protection Categories | IP 68 (5 bar, 30 min.) to EN 60529/10.91<br>IP 69K to DIN 40 050-9/05.93 H |

| Item | Part            | Material        |
|------|-----------------|-----------------|
| 1    | Cap             | Stainless Steel |
| 2    | Pressure Seal   | TPE             |
| 3    | Conical Bushing | Stainless Steel |
| 4    | Clamping Ring   | Stainless Steel |
| 5    | Contact Spring  | Cu Be Alloy     |
| 6    | Pressure Ring   | Stainless Steel |
| 7    | Seal Washer     | TPE             |
| 8    | Body            | Stainless Steel |

| Code                 | Thread Type | Cable Clamping Range (mm) | Cable Gland Dimensions |        |         |         |         |        |         | Locknut Dimensions       |           |        |                              |
|----------------------|-------------|---------------------------|------------------------|--------|---------|---------|---------|--------|---------|--------------------------|-----------|--------|------------------------------|
|                      |             |                           | SW A (mm)              | D (mm) | D1 (mm) | D2 (mm) | D4 (mm) | H (mm) | TL (mm) | Cap Tightening Torque Nm | SW L (mm) | e (mm) | Locknut Tightening Torque Nm |
| <b>Standard Type</b> |             |                           |                        |        |         |         |         |        |         |                          |           |        |                              |
| BMFGX-05             | M12x1,5     | 3,0-6,5                   | 14                     | 15,6   | 12,0    | 7,0     | 6,8     | 21,5   | 6,0     | 2,5                      | 15        | 2,8    | 6,0                          |
| BMFGX-01             | M16x1,5     | 5,0-10,0                  | 18                     | 20,2   | 16,0    | 10,5    | 10,3    | 28,5   | 7,0     | 4,0                      | 19        | 3,0    | 9,0                          |
| BMFGX-02             | M20x1,5     | 6,0-12,0                  | 22                     | 24,1   | 20,0    | 12,5    | 12,3    | 33,0   | 10,0    | 5,0                      | 24        | 3,5    | 12,0                         |
| BMFGX-03             | M25x1,5     | 12,0-17,0                 | 28                     | 30,1   | 25,0    | 17,5    | 17,3    | 38,0   | 14,0    | 6,0                      | 30        | 4,0    | 14,0                         |
| <b>EMC Type</b>      |             |                           |                        |        |         |         |         |        |         |                          |           |        |                              |
| BMEFGX-01            | M16x1,5     | 5,0-10,0                  | 18                     | 20,0   | 16,0    | 10,3    | 10,3    | 28,5   | 7,0     | 4,0                      | 19        | 3,0    | 9,0                          |
| BMEFGX-02            | M20x1,5     | 6,0-12,0                  | 22                     | 24,1   | 20,0    | 12,3    | 12,3    | 33,0   | 10,0    | 5,0                      | 24        | 3,5    | 12,0                         |
| BMEFGX-03            | M25x1,5     | 12,0-17,0                 | 28                     | 30,1   | 25,0    | 17,3    | 17,3    | 38,0   | 14,0    | 6,0                      | 30        | 4,0    | 14,0                         |

18



| Code     | Thread Type | Tool Dimensions |           |        |
|----------|-------------|-----------------|-----------|--------|
|          |             | SW B (mm)       | SW C (mm) | h (mm) |
| BMFGT-01 | M12         | 5               | 8         | 5      |
| BMFGT-02 | M16         | 6               | 12        | 5      |
| BMFGT-03 | M20         | 8               | 14        | 8      |
| BMFGT-04 | M25         | 10              | 18        | 8      |

Various colors, materials, and sizes available upon request

Email: [info@sabcable.com](mailto:info@sabcable.com)



Website: [www.sabcable.com](http://www.sabcable.com)