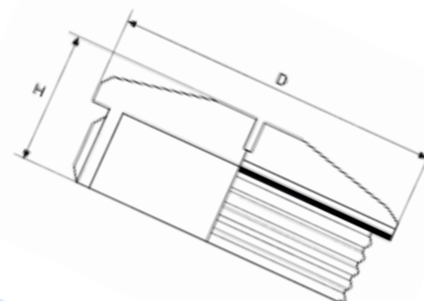


PLASTIC BLIND STOP

Impact resistant, made of polyamide 6.

Technical data:

Material	Polyamide 6
Color	RAL 7001 (Gray) RAL 9005 (Black)



Size	Part Number Gray	Part Number Black	Height (mm)	Depth (mm)
PG				
PG 7	BBS-01	BBS-21	8.0	15
PG 9	BBS-02	BBS-22	9.0	19
PG 11	BBS-03	BBS-23	9.0	22
PG 13.5	BBS-04	BBS-24	9.5	25
PG 16	BBS-05	BBS-25	9.5	27
PG 21	BBS-06	BBS-26	11.0	33
PG 29	BBS-07	BBS-27	12.0	44
PG 36	BBS-08	BBS-28	15.0	55
Metric				
M12X1.5	BMBS-05	BMBS-25	6.0	15
M16X1.5	BMBS-01	BMBS-21	6.0	20
M20X1.5	BMBS-02	BMBS-22	6.0	24
M25X1.5	BMBS-03	BMBS-23	8.0	30
M32X1.5	BMBS-04	BMBS-24	8.0	37
M40X1.5	BMBS-05	BMBS-25	8.0	46
M50X1.5	BMBS-06	BMBS-26	10.0	56
M63x1.5	BMBS-07	BMBS-27	12.0	70