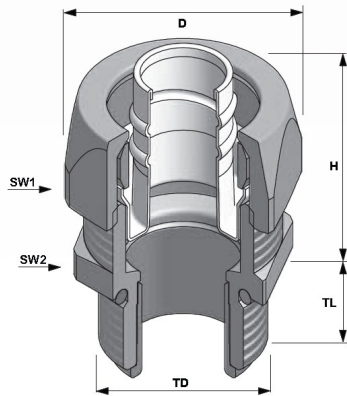


# LIQUID TIGHT CONDUIT FITTINGS (MALE)



## Technical data:

Material	Stainless Steel AISI 303
Seal Ring	Polyamide 6 V2
Protection Bushing	Polyamide 6 V2
Ferrule	Brass nickel plated or Steel zinc plated
Protection Class	IP68 - 5 Bar
Oper. Temperature	-45°C to +105°C permanent
O-Ring	NBR
Construction	Piece fitting (counter nut, seal ring, ferrule and body) The counternut and body are made of Stainless steel, the ferrule is plated steel (size 3/8" till 1") or nickel plated brass (other sizes). The insert and the sealing are made of Polyamide.

Codes	Size	For sealrite size	Max. internal diameter (mm)	H (mm)	TL (mm)	ØD (mm)	SW1 (mm)	SW2 (mm)
<b>Metric straight fitting (red insert)</b>								
BBFM-02 (S) SS	M24x1,5/M16	M16X1,5 5/16"	8,3	23,5	11,5	30,0	27,0	24,0
BBFM-03 (SP) SS	M24x1,5/M20	M20X1,5 5/16"	8,3	23,0	13,0	30,0	27,0	24,0
BBFM-02 SS	M24x1,5/M16	M16X1,5 3/8"	10,9	22,5	11,5	30,0	27,0	24,0
BBFM-03 (S) SS	M27x1,5/M20	M20X1,5 3/8"	10,9	22,5	13,0	30,0	27,0	24,0
BBFM-03 SS	M27x1,5/M20	M20X1,5 1/2"	13,9	22,5	13,0	33,7	30,0	27,0
BBFM-04 SS	M33x1,5/M25	M25X1,5 3/4"	18,9	24,0	15,0	39,7	36,0	36,0
BBFM-05 SS	M42x1,5/M32	M32X1,5 1"	24,4	30,0	15,0	51,0	46,0	46,0
BBFM-06 SS	M50x1,5/M40	M40X1,5 1 1/4"	31,8	35,5	16,0	60,0	54,0	52,0
<b>PG straight fitting (blue insert)</b>								
BBFB-01 SS	M20x1,5/Pg7	7 1/4"	5,2	22,0	10,0	25,0	22,0	20,0
BBFB-02 SS	M20x1,5/Pg9	9 5/16"	8,3	24,0	11,5	30,0	26,0	24,0
BBFB-03 SS	M24x1,5/Pg11	11 3/8"	10,2	23,0	11,5	30,0	26,0	24,0
BBFB-04 SS	M24x1,5/Pg13,5	13,5 3/8"	10,2	23,0	11,5	30,0	26,0	24,0
BBFB-05 SS	M27x1,5/Pg16	16 1/2"	13,5	24,0	13,0	33,7	29,0	27,0
BBFB-06 SS	M33x1,5/Pg21	21 3/4"	18,5	25,5	15,0	39,7	35,0	33,0
BBFB-07 SS	M42x1,5/Pg29	29 1"	23,5	31,5	15,0	51,0	45,0	43,0
BBFB-08 SS	M50x1,5/Pg36	36 1 1/4"	31,8	36,0	16,0	60,0	54,0	52,0
BBFB-09 SS	M58x1,5/Pg42	42 1 1/2"	36,8	38,5	18,0	69,3	63,0	60,0
BBFB-10 SS	M72x2,0/Pg48	48 2"	47,8	45,0	20,0	85,0	77,0	74,0
<b>NPT straight fitting (white insert)</b>								
BBFN-02 (S) SS	M24x1,5/Npt1/2	1/2" 3/8"	10,9	22,0	13,0	30,0	27,0	24,0
BBFN-02 SS	M27x1,5/Npt1/2	1/2" 1/2"	13,9	23,0	13,0	33,7	30,0	27,0
BBFN-03 SS	M33x1,5/Npt3/4	3/4" 3/4"	18,9	24,0	15,0	39,7	36,0	36,0
BBFN-04 SS	M42x1,5/Npt1	1" 1"	24,4	30,0	15,0	51,0	46,0	46,0