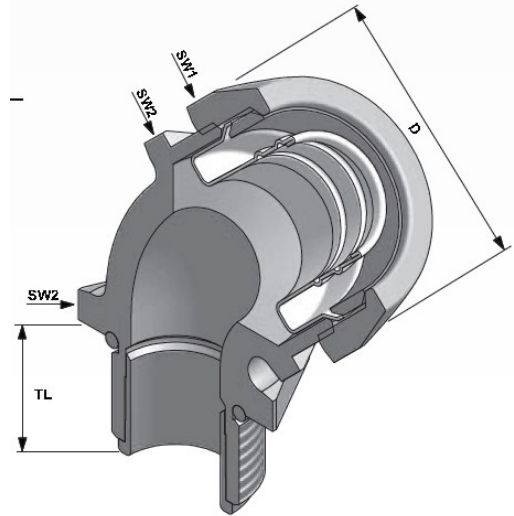


# LIQUID TIGHT CONDUIT FITTINGS (45°)

## Technical data:

Material	Stainless Steel AISI 303
Seal Ring	Polyamide 6 V2
Protection Bushing	Polyamide 6 V2
Ferrule	Brass nickel plated or Steel zinc plated
Protection Class	IP68 - 5 Bar
Oper. Temperature	-45°C to +105°C permanent
O-Ring	NBR
Construction	Piece fitting (counter nut, seal ring, ferrule and body) The counternut and body are made of Stainless steel, the ferrule is plated steel (size 3/8" till 1") or nickel plated brass (other sizes). The insert and the sealring are made of Polyamide.



Codes	Size	For sealtite size	Max. internal diameter (mm)	TL (mm)	ØD (mm)	SW1 (mm)	SW2 (mm)
<b>Metric 45° fitting (red insert)</b>							
BBFM-02 (S) 45 SS	M24x1,5/M16	M16X1,5	5/16"	8,3	11,5	30,0	27,0
BBFM-02 45 SS	M24x1,5/M16	M16X1,5	3/8"	10,9	11,5	30,0	27,0
BBFM-03 45 SS	M27x1,5/M20	M20X1,5	1/2"	13,9	13,0	33,7	30,0
BBFM-04 45 SS	M33x1,5/M25	M25X1,5	3/4"	18,9	15,0	39,7	36,0
<b>PG 45° fitting (blue insert)</b>							
BBFB-03 (S) 45 SS	M24x1,5/Pg11	11	5/16"	8,3	11,5	30,0	26,0
BBFB-03 45 SS	M24x1,5/Pg11	11	3/8"	10,2	11,5	30,0	26,0
BBFB-04 45 SS	M24x1,5/Pg13,5	13,5	3/8"	10,2	11,5	30,0	26,0
BBFB-05 45 SS	M27x1,5/Pg16	16	1/2"	13,5	13,0	33,7	29,0
BBFB-06 45 SS	M33x1,5/Pg21	21	3/4"	18,5	15,0	39,7	35,0
BBFB-07 45 SS	M42x1,5/Pg29	29	1"	23,5	15,0	51,0	45,0
BBFB-08 45 SS	M50x1,5/Pg36	36	1 1/4"	31,8	16,0	60,0	54,0
BBFB-09 45 SS	M58x1,5/Pg42	42	1 1/2"	36,8	18,0	69,3	63,0
BBFB-10 45 SS	M72x2,0/Pg48	48	2"	47,8	20,0	85,0	77,0
<b>NPT 45° fitting (white insert)</b>							
BBFN-02 (S) 45 SS	M24x1,5/Npt1/2	1/2"	3/8"	10,2	13,0	30,0	26,0
BBFN-02 45 SS	M27x1,5/Npt1/2	1/2"	1/2"	13,9	13,0	33,7	30,0
BBFN-03 45 SS	M33x1,5/Npt3/4	3/4"	3/4"	18,9	15,0	39,7	36,0