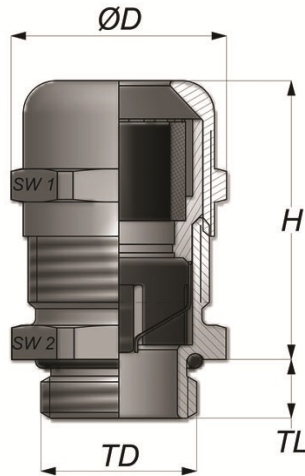


CG EMC-2 P & N SERIES GROUNDING CABLE GLANDS

PG & NPT thread



Optimal grounding of shielded cable, easy installation, water tight, impact resistant.



Technical Data:

Material	Brass, Nickel Plated
Contact Spring	Special Copper Alloy
Clamping Insert	Polyamide 6 V2
Seal	Chloroprene (CR)
O-Ring	NBR
Protection Class	IP 68 - 5 Bar
Temperature Range	-20°C to +100°C permanent -40°C to +150°C intermittent
Flammability	V2 (according to UL 94)
Approvals	UR, UL

Part Number	Thread Size	Clamping Range Ø (min-max)		Shield Diameter (Ø min)		Wrenching Flats Cap (SW1)		Thread Diameter (TD)	Thread Length (TL)	Height (H)	UL ¹
		inches	mm	inches	mm	inches	mm				
PG											
EP2-7	PG 7	.118 - .256	3.0 - 6.5	0.098	2.5	0.551	14.0	12.5	6.0	21.8	-
EP2-9	PG 9	.157 - .315	4.0 - 8.0	0.118	3.0	0.669	17.0	15.2	6.0	22.6	-
EP2-11	PG 11	.197 - .394	5.0 - 10.0	0.157	4.0	0.787	20.0	18.6	6.0	25.3	-
EP2-13	PG 13.5	.236 - .473	6.0 - 12.0	0.197	5.0	0.866	22.0	20.4	6.5	24.1	-
EP2-16	PG 16	.394 - .551	10.0 - 14.0	0.335	8.5	0.945	24.0	22.5	6.5	27.5	-
EP2-21	PG 21	.512 - .709	13.0 - 18.0	0.433	11.0	1.181	30.0	28.3	7.2	31.2	-
EP2-29	PG 29	.709 - .984	18.0 - 25.0	0.630	16.0	1.575	40.0	37.0	8.0	39.3	-
EP2-36	PG 36	.866 - 1.260	22.0 - 32.0	0.787	20.0	1.969	50.0	47.0	9.0	47.2	-
EP2-42	PG 42	1.181 - 1.497	30.0 - 38.0	1.102	28.0	2.283	58.0	54.0	12.0	47.7	-
EP2-48	PG 48	1.339 - 1.732	34.0 - 44.0	1.220	31.0	2.520	64.0	59.3	14.0	52.0	-
PG with Long Thread											
EP2-7L	PG 7	.118 - .256	3.0 - 6.5	0.098	2.5	0.551	14.0	12.5	8.0	21.8	-
EP2-9L	PG 9	.157 - .315	4.0 - 8.0	0.118	3.0	0.669	17.0	15.2	10.0	22.6	-
EP2-11L	PG 11	.197 - .394	5.0 - 10.0	0.157	4.0	0.787	20.0	18.6	10.0	25.3	-
EP2-13L	PG 13.5	.236 - .473	6.0 - 12.0	0.197	5.0	0.866	22.0	20.4	10.0	24.1	-
EP2-16L	PG 16	.394 - .551	10.0 - 14.0	0.335	8.5	0.945	24.0	22.5	10.0	27.5	-
EP2-21L	PG 21	.512 - .709	13.0 - 18.0	0.433	11.0	1.181	30.0	28.3	12.0	31.2	-
EP2-29L	PG 29	.709 - .984	18.0 - 25.0	0.630	16.0	1.575	40.0	37.0	12.0	39.3	-
EP2-36L	PG 36	.866 - 1.260	22.0 - 32.0	0.787	20.0	1.969	50.0	47.0	14.0	47.2	-
EP2-42L	PG 42	1.181 - 1.497	30.0 - 38.0	1.102	28.0	2.283	58.0	54.0	16.0	47.7	-
EP2-48L	PG 48	1.339 - 1.732	34.0 - 44.0	1.220	31.0	2.520	64.0	59.3	18.0	52.0	-
NPT											
EN2-3/8	NPT 3/8	.196 - .394	5.0 - 10.0	0.157	4.0	0.787	20.0	17.0	11.5	40.5	UR
EN2-1/2	NPT 1/2	.236 - .472	6.0 - 12.0	0.196	5.0	0.866	22.0	21.0	13.0	38.3	UL
EN2-3/4	NPT 3/4	.512 - .709	13.0 - 16.0	0.433	11.0	1.181	30.0	26.0	13.0	47.4	-
EN2-1	NPT 1	.709 - .984	18.0 - 25.0	0.629	16.0	1.574	40.0	33.0	13.0	55.2	-

¹Additional UL approvals in process (NPT only)